



AMBIKA ENGINEERING WORKS

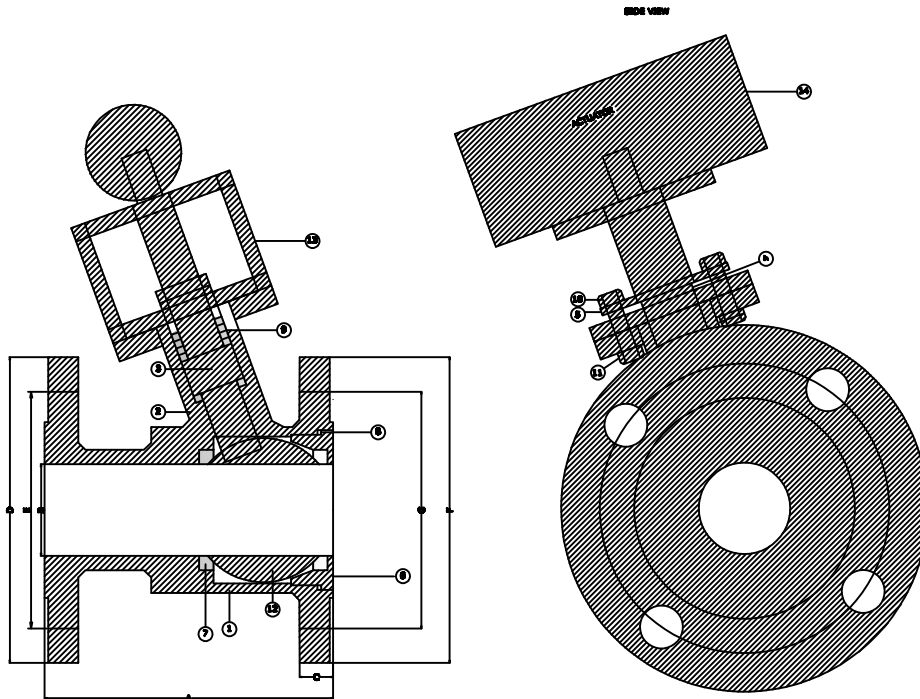
19, Gr.Floor,Shanta Industrial Premises Co-op Society Ltd, I.BPatel Road, Goregaon (East) Mumbai - 400063

Tel : 022-26858793 • Cell : 09821271748 • Telefax : 022-26852558

ANGULAR FLUSH BOTTOM BALL VALVE

Salient Features and Specialities:

- Positive shut off
- Longer life
- Quick in action
- No lubrication
- Visual on / off indication
- Compact design
- Corrosion resistant
- Low pressure drop



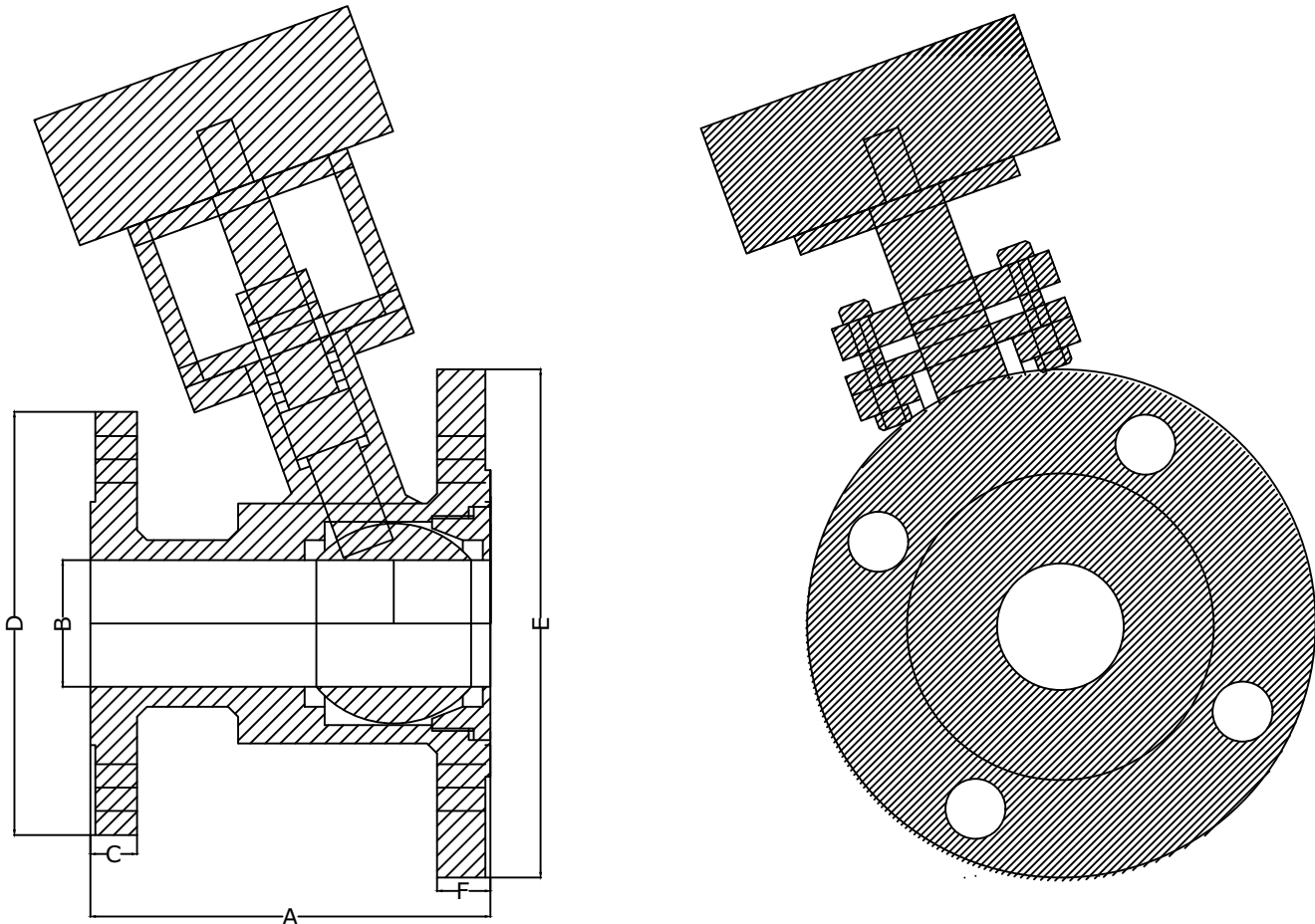
Sizes	A	B	C	D	E	F	G	SR. NO.	NAME OF PART	MATERIAL
40 (N.B.)	120	38	14	127 (1 1/2" A.S.A. - 150)	98.4 PCD. (14mm hole - 4 nos.)	152 (2" A.S.A. - 150)	120.5PCD. (19 mm hole - 4 nos.)	1	BODY	A.I.S.I.316
50 (N.B.)	120	51	16	152 (2" A.S.A. - 150)	120.5 PCD. (19mm hole - 4 nos.)	190 (3" A.S.A. - 150)	152 PCD. (19 mm hole - 4 nos.)	2	BONNET	A.I.S.I.316
80 (N.B.)	190	76	18	190 (3" A.S.A. - 150)	152 PCD. (19 mm hole - 4 nos.)	229 (4" A.S.A. - 150)	191 PCD. (19 mm hole - 8 nos.)	3	SPINDLE	A.I.S.I.316
100 (N.B.)	200	101	23	229 (4" A.S.A. - 150)	191 PCD. (19 mm hole - 4 nos.)	279 (6" A.S.A. - 150)	241 PCD. (22 mm hole - 8 nos.)	4	G.RING	A.I.S.I.316
								5	GLANDPATI	A.I.S.I.304
								6	ADAPTOR	A.I.S.I.316
								7	SEAT	P.T.F.E.
								8	BODY SEAL	P.T.F.E.
								9	GLAND SEAL	P.T.F.E.
								10	HEX.BOLT	A.I.S.I.304
								11	HEX.NUT	A.I.S.I.304
								12	BALL	A.I.S.I.316
								13	BREACKET	A.I.S.I.304
								14	ACTUATOR	

AMBIKA ENGINEERING WORKS.			
FLUSHBOTTOM BALLVALVE FLANGE END ASA.150 ANGULAR ACTUATOR OPERATED			
	All dimension in m.m.	SKN	DATE
19,SHANTA IND.PR.CO.SOCIETY,LTD. I.B.PATEL ROAD,	DRN	C.J.MEWADA	11/01/2012
GOREGAON (EAST),	CHKD.	C.J.MEWADA	11/01/2012
MUMBAI - 400063	SCALE	N.T.S.	
TELE. NO. - 26858793 FAX. - 26852558	DRG.NO.	AEW/FL.B.V./08	
EMAIL:- valves@ambikavalves.com	WEB:- ambikavalves.com		
CLINT:- GIDWANI			



19, Gr.Floor,Shanta Industrial Premises Co-op Society Ltd, I.BPatel Road, Goregaon (East) Mumbai - 400063

Tel : 022-26858793 • Cell : 09821271748 • Telefax : 022-26852558



ANGULAR FLUSH BOTOM BALL VALVE FLANGE ASA.150

Sizes	A (in M.M.)	B (in M.M.)	C (in M.M.)	D	E	F (in M.M.)
40 (N.B.)	120	38	14	127(11/2" A.S.A. - 150)	152(2"ASA.150.)	16
50 (N.B.)	120	51	16	152(2" A.S.A. - 150)	190(3"ASA.150.)	18)
80 (N.B.)	190	76	18	190(3" A.S.A. - 150)	229(4"ASA.150.)	20
100 (N.B.)	200	101	23	229(4" A.S.A. - 150)	279(6"ASA.150.)	23
150 (N.B.)	230	150	23	279(4" A.S.A. - 150)	343(8"ASA.150.)	27